

PASCAL NEWS

01/30/17

Pascal Engineering Newsletter

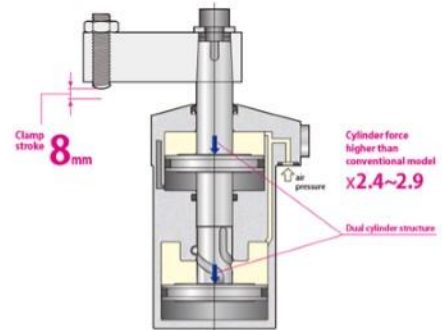
CELEBRATING 30 YEARS AND GOING STRONG!!!

Pascal Engineering celebrated its 30th anniversary in 2016. Within these 30 years, Pascal has grown exponentially from a single plant in Japan to nearly 30 facilities worldwide, including 3 production plants. This fast-paced growth represents the enduring strength and energy of Pascal Engineering's technology and products. As a global leader in the manufacturing and sales of factory automation equipment and systems, Pascal will endlessly strive to enable the success of your business through continued innovation and improvement of our products and service. As we kick-start 2017, we would like to thank you, our customers, for your continued support and look forward to many more years ahead of working together! Wishing you a happy new year from Pascal Engineering Inc!



BOOST YOUR CLAMP GAME WITH CTY

Space-savings and higher cylinder force is acquired with our new double-acting air swing clamp CTY. Equipped with a Dual Cylinder structure, we have more than doubled the cylinder force of our conventional model while also cutting down our flange area by half. In an industry where space comes at a premium, we are proud to offer this great solution. Standard in all Pascal clamp models, both manifold and G-port piping options are available along with speed control valves. Right or left swing orientations types allow you to grip the workpiece just how you want securely and firmly. CTY is one of the many swing clamps that Pascal provides where you can be sure to get the quality and reliability you need.



Check out even more of our products: <http://www.pascalenginc.com>



ADDRESS

64 W SEEGER'S RD
ARLINGTON HEIGHTS, IL
60005

PHONE NUMBER

(847) 427-1234

SALES ENGINEERS

MIKE CASSELMAN

(847) 373-8153

ZACH FOX

(847) 909-0939

STEPHANIE OKUBO

(847) 797-4774